

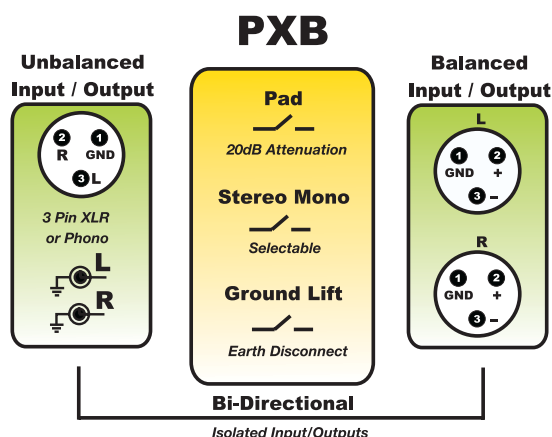
PXB is the AV audio professional's trouble-shooting toolkit. Being completely passive (no batteries or external power required) and bi-directional, PXB can match unbalanced and balanced audio sources, line to mic levels, stereo and mono signals, and troubleshoot hum problems – all in one versatile and rugged unit.

Having both phono and 3-pin XLR connections, the PXB is the simplest way to interface unbalanced computer or consumer audio signals to balanced AV sound systems. The inputs and outputs are completely isolated in either direction and by using the 'Ground Lift' feature where required, hum problems can be easily cured.

Main Features

- Always ready to go – no batteries or external power required
- Bi-directional – can match balanced and un-balanced audio in either direction
- Inputs and outputs fully isolated – ensures unwanted ground loops are defeated
- Ground-lift switch – to help cure hum problems
- Stereo/Mono select switch
- Line to mic level matching using 20dB pad switch
- 3-pin XLR and phono inputs – easily interfaces to computer and/or consumer audio sources
- Small and rugged case – designed to cope with the rigors of the AV and live events industry

3 Year Limited Factory Warranty



Interspace Industries
28 High Street, Arlesey, Bedfordshire, SG15 6RA, UK
call: +44 (0) 870 770 8088, Fax: +44 (0) 870 770 8089
email: moreinfo@interspaceind.com web: www.interspaceind.com



The AV Professional's Audio Toolkit



Specifications

Signals:

Typical input 700mVp-p unbalanced stereo audio

Bandwidth: +/- 1.5dB 30Hz to 35KHz. Depending on signal levels and impedances

Control Switches:

Output pad from 2dB to 20dB

Earth (Ground) lift

Stereo to Mono

Connections:

Unbalanced connections

Phono left and right sockets

3-pin XLR socket

Balanced connections

2 x 3-pin XLR plugs (balanced Left and Right)

Dimensions mm (inch):

PXB: DxWxH (inc connectors): 81(3 3/20") x 125(4 19/10") x 48(1 9/10")

Carton: DxWxH 110 (4 4/10") x 190 (7 1/2") x 85 (3 3/4")

Weight:

PXB: 330g (11.64oz)

Packaged complete 400g (14oz)

